

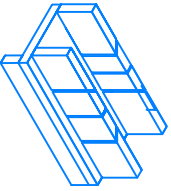
- 2) Pre-drill four holes in pieces F, on the same side and evenly spaced using a 1/16" bit. Glue and nail F to E, centered on E and flush with the front edge with 1" finishing nails. Glue the 45 degree edges of two of the pieces A, C and E in a rectangle and pre-drill two 1/16" holes, 3/4" deep, through each corner of A and into C and E. Nail together with 3/4" finishing nails. Glue the inside rabbets on A, C and E and place in piece P. Nail piece P in place with 3/4" finishing nails (Fig 6). Blunt the ends of your nails to prevent splitting of the sides. Attach the door handles to pieces P, ensuring the inside of P remains smooth, you may have to countersink P slightly so that the hinge hardware does not protrude. Paint the pieces Q with blackboard paint, glue the back, and place in the door assemblies. Wipeboard paint, glue the front, and place in the door assemblies. Quarter section ABRD (Fig 7). Glue the rear of pieces S and place it in the middle assembly. Ensure the assemblies are square.
- 3) To build drawer assembly glue the long edges of both H's and place in between pieces G. Drill six 1/16" pilot holes into each edge of G. Nail G onto H, with 1 1/2" finishing nails. Glue the four edges of J, fit into box formed by G and H, pre-drill through G and H with eight 1/16" holes, two through each and into J, and nail with 1 1/2" finishing nails (Fig 8).
- 4) Attach top assembly ABRSD to drawer compartment G/H by drilling four 1/8" holes evenly spaced in D, 1 1/4" from the rear edge, and countersink on the top with a 3/8" drill bit (to a 3/8" depth if you are using wood buttons), glue and place piece I between D and E and secure with four 1" glue finish screws (Fig 9). Make sure the ends and insert wood buttons if you are using them. Ensure the rear edges of D, H and T are flush.
- 5) Begin assembly of drawer unit by pre-drilling, gluing and nailing pieces M onto each end of L. Using 1 1/2" finishing nails nail through M into L. Glue and nail pieces K to MLW assembly with 3/4" finishing nails. Pieces K should be flush to one end, and should overlap bottom L by 1/4". Glue and nail N to front of drawer assembly, using 1 1/4" finishing nails, nail from M into N. N should be flush to the sides and overlap bottom of K by 3/4" (Fig 10). Attach the drawer pull to N, you may have to drill slightly into M if the hardware is not long enough. Ensure the drawer is square and set aside to dry.
- 6) Before the final assembly, set all nail holes with either a nail set or another finishing nail. Fill all nail and screw holes. A trick to match stains, stain a scrap piece of wood, let dry, and add stain to the wood putty to match the dried stain color. Sand the project with sandpaper and finish with stain and varnish, or oil.
- 7) Final assembly (Fig 11 & 12). Line up the side assemblies so that top edges B and C are flush, and that sides A are right next to each other. Lay on the piano hinges and pre-drill with a 1/16" drill bit through the holes in the piano hinges and attach the piano hinges with the hardware that you purchased with the hinges (Screws of 1/2" length or less). You may wish to attach magnetic door catch hardware to prevent the doors from swinging open. To attach the unit to the wall, drill through S and R, just under B, and into studs in the wall (or you can use drywall anchors if you do not have convenient studs) with two 1/8" holes. Attach the two 3" finished screws. To hang the cardboard, hook the pieces and also goes through S, R, and into a stud or drywall anchor in the wall.

**On materials:**

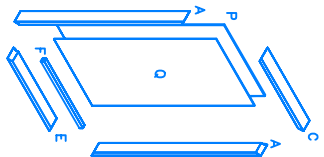
As this is a finished wood project, use top quality materials. Oak is an excellent choice, however you may go for a less expensive wood.

**TOOLS**

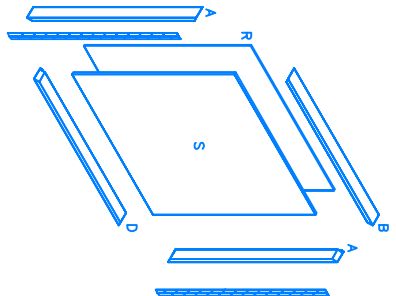
- \* Tablesaw
- \* Router (optional)
- \* Hand or power drill
- \* 1/16", 1/8" and 3/8" drill bits
- \* Square
- \* Pencil & measuring tape
- \* Screwdriver
- \* Nail set
- \* Hammer
- \* Handsaw
- \* Sandpaper
- \* Putty knife
- \* Miter box



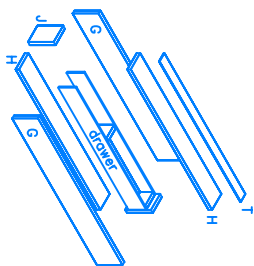
**MITER BOX**



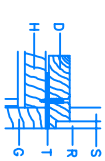
**EXPLODED DOOR**  
**FIGURE 6**



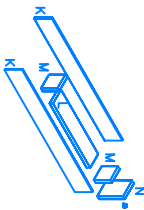
**EXPLODED BACK**  
**FIGURE 7**



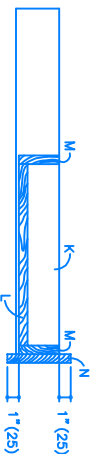
**EXPLODED BASE**  
**FIGURE 8**



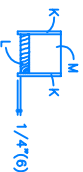
**FIGURE 9**  
Detail of fixing between top and base



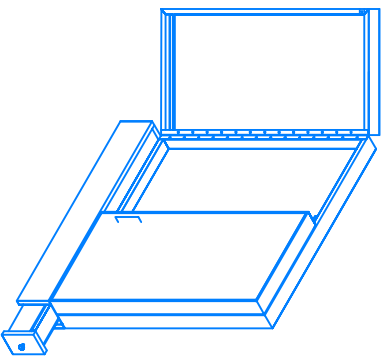
**EXPLODED DRAWER**  
**DRAWER UNIT**



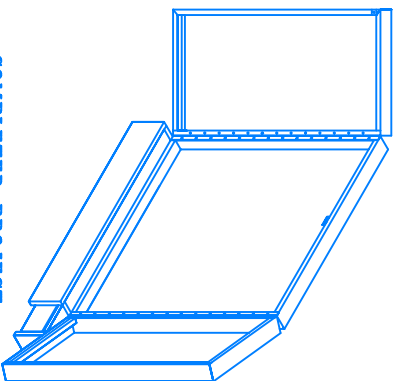
**SECTION THRU DRAWER FRONT**



**SECTION THRU DRAWER SIDES**  
**FIGURE 10**



**COMPLETED PROJECT**  
**FIGURE 11**



**COMPLETED PROJECT**  
**FIGURE 12**